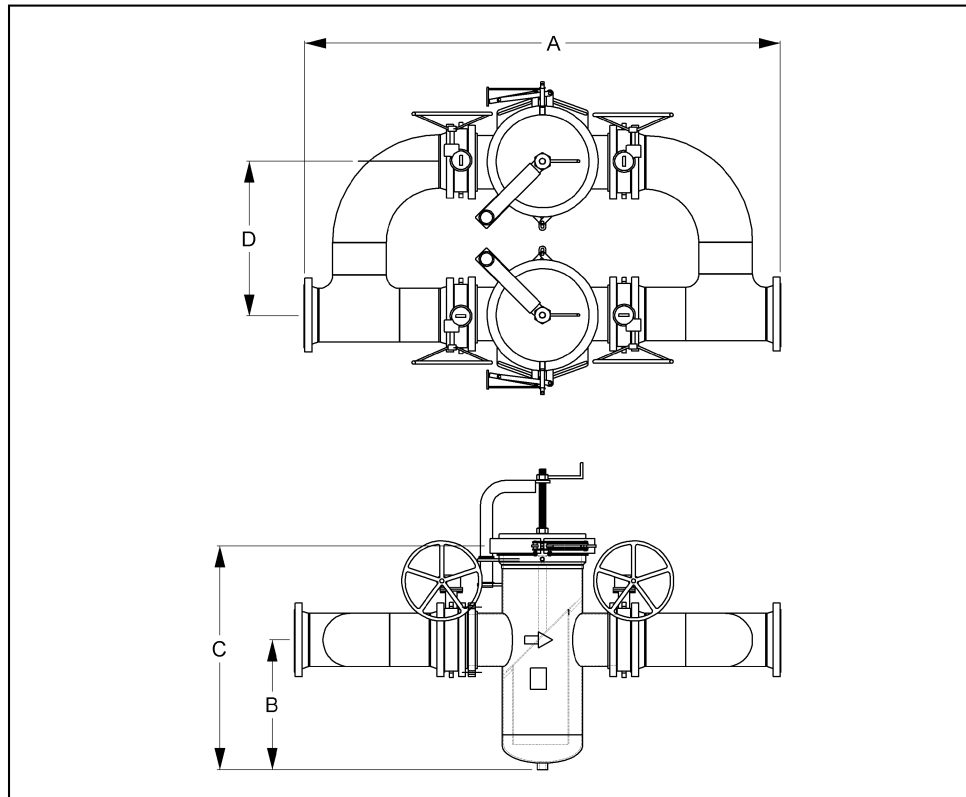


**ANSI 150# RF Duplex Basket Strainer  
Angled Basket Style**



Standard Feature

- Bolted access cover c/w NAF gasket
- Swing bolt style closure c/w Buna N O-Ring seal
- 1/8" Perforated Stainless Steel (304) Basket
- 1/2" NPT Vent, NPT Drain

Line Size	Body Dia	A	B	C	D	Drain NPT	Weight Bolted	Cover Weigh
10	16	88	24	38	28	1 1/2	2340	180
12	18	100	28	45	30	1 1/2	3280	220
14	18	108	29	46	30	1 1/2	3910	220
16	24	118	39	59	36	2	5720	430
18	24	128	39	59	36	2	6430	430
20	30	144	51	81	40	2	9230	1075
24	30	160	51	81	40	2	10620	1075